

# Jebel Khalid

2008

Field Record Book

ACROPOLIS

100

Name.....TIDMARSH.....  
Trenches.....Acropolis 100.....  
.....  
Dates.....27/4/08 - .....



### ADVICE to TRENCH SUPERVISORS

1. Take a **new page** for each day. (Each day may take several pages).
2. Draw a **scale plan** of the trench **each day** on the graph paper (essential), with North at the top (if this is not convenient, mark North direction clearly).  
When starting a square, this plan may be nearly empty but draw it all the same and mark in emerging tumble. The graph paper can also be used for sketching objects etc.
3. Mark **depth** from surface at the beginning of each day, at designated points. Also record, each day, the depths taken on the sheet provided (kept in the back of your field record book)
4. Draw arrows on your plan to indicate **direction** in which you are excavating.
4. Every time you designate a new context, (on the occasion of a new spit, a new feature, a new soil colour) fill in the **Context Record Sheet** for that trench, as well as describing it in your report. Store the accumulated context record sheets in the plastic sleeve in your record book.
5. **Structures** . Measure carefully any structure (wall, doorway, threshold, ovens, pit, any large dressed stones or columns) and record exact location, height, width in your report as well as on the scale plan.
6. **Floors** - marked by very hard tough surface or layer of white crushed limestone. May be softer adjacent to wall. Record thickness of floor, if we decide to dig through it.  
If your floor is particularly good, collect a few bags of surface material - there may be seeds.
7. **Objects**. e.g. glass, figurine or lamp fragments, metal, stucco, loomweights, spindle whorls, beads, graffito-ed sherds, coins, gold jewellery ( some hope). Mark in the location and depth of any objects clearly and accurately. If necessary, draw another sketch plan as the day progresses. A quick sketch of the object in the report would be helpful, if it is too mysterious to name e.g. Mattie's metal blobs.
8. **Pottery**: label bags clearly in waterproof pen, with one label inside the bag and one outside. **Record daily the number of bags per context** . Be very careful to separate pottery from different contexts.  
**It is absolutely essential to double-bag the pottery. A broken bag of pottery without context is useless.**
9. **Bone**: Collect all bone and label as for pottery. Record number of bags per context daily.
10. **Charcoal**: Collect all charcoal and label as for pottery. Record number of bags per context daily.
11. **Tile**: it is important to record the location and amount of tile.
12. **Very important**: at the completion of a trench,
  - i DRAW ( TO SCALE) a section of the exposed baulk, with details of stratigraphy clearly marked.
  - ii DRAW ( TO SCALE a top plan of the completed trench, with contexts clearly marked.
  - iii WRITE a short summary with your interpretation of the trench.

73.7 cm for F1 to top of bluish clay

290.60  
1.86  
288.74



**List of equipment for Trench Supervisors**

- Dig bag
- Water
- Clip board and spare clips for windy days
- Pens (water proof only - black or blue), pencils, ruler, eraser
- Measuring tape
- Plumb bob
- String
- Spirit level (may be shared)
- Supply of labels
- Supply of different-sized plastic bags
- Toilet paper (for wrapping delicate objects as well as for personal use!)
- Small cartons/boxes for objects. When available
- Band-aids and aspirin for the vapours (yours or the workers')

**Useful words**

- All kull
- All of you kullkum
- All even ( same) kull sawa-sawa
- Bedrock jebel
- Big kabeer
- Black aswad
- Bone az'm
- Boy walad
- Brush forshay
- Charcoal fah'm
- Cleaning tanzeef
- Dead mowt
- Eating! mangariyya
- Floor ardh

- From min
- Girl bint
- Glass azeez
- Half nuss
- Here hona
- I ana
- Iron hadeed
- Little, small sagheer
- Man rajul
- Maybe, perhaps mumkin
- Must laazim
- Must not! mu laazim
- My (my son) -ee e.g. walad-ee
- Pick kazma
- Pottery fachaar
- Photo (picture) soora
- Red ahmar
- Rock hajir
- Room gurfa
- Sick mareedth
- Soil trab
- Slowly shway, shway
- Supervisor mudeer
- There is.. there is not fi....maa fi
- This hadtha
- To, for ila, li
- Today al yowm
- Tomorrow bukra
- Trowel mustareen
- Wall jidaar
- Water mayy
- Wheelbarrow darraaja
- White abyad
- Yesterday imbaarih
- You (sing. m/f anta, anti
- You (pl.) antum

Trench.....Initials.....Date..... Page...!  
 Locus.....Spit..... Locus.....Spit..... Feature/s.....

	No. of bags	Cont	Cont
Pottery			
Bone			
Charcoal			
Other (Tile)			
Photos bw			
Photos col.			

No.	Object	Cont	Cont

Context	Report
	<i>INTRODUCTION</i>
	<i>This year (2003) we shall continue in Trench 100 with the aim of completing it.</i>
	<i>The structures in this trench are clearly continued in Trenches 101 and 102 to the North.</i>
	<i>Trench 102 will be excavated (to completion) concurrently with 100 but it may not be possible to start work on Trench 101.</i>
	<i>The structure(s) in Trench 100 are possibly part of the citadel garrison (? accommodation; ? storage) although, as yet, there is no definite proof of this and other interpretations are possible.</i>
	<i>Excavations so far have suggested an earlier phase or phases (? end of 3rd century BC) and a later phase (c end 2nd century BC).</i>

\* For full summary, plan, Harris matrix see plastic sleeve at end of dig book.

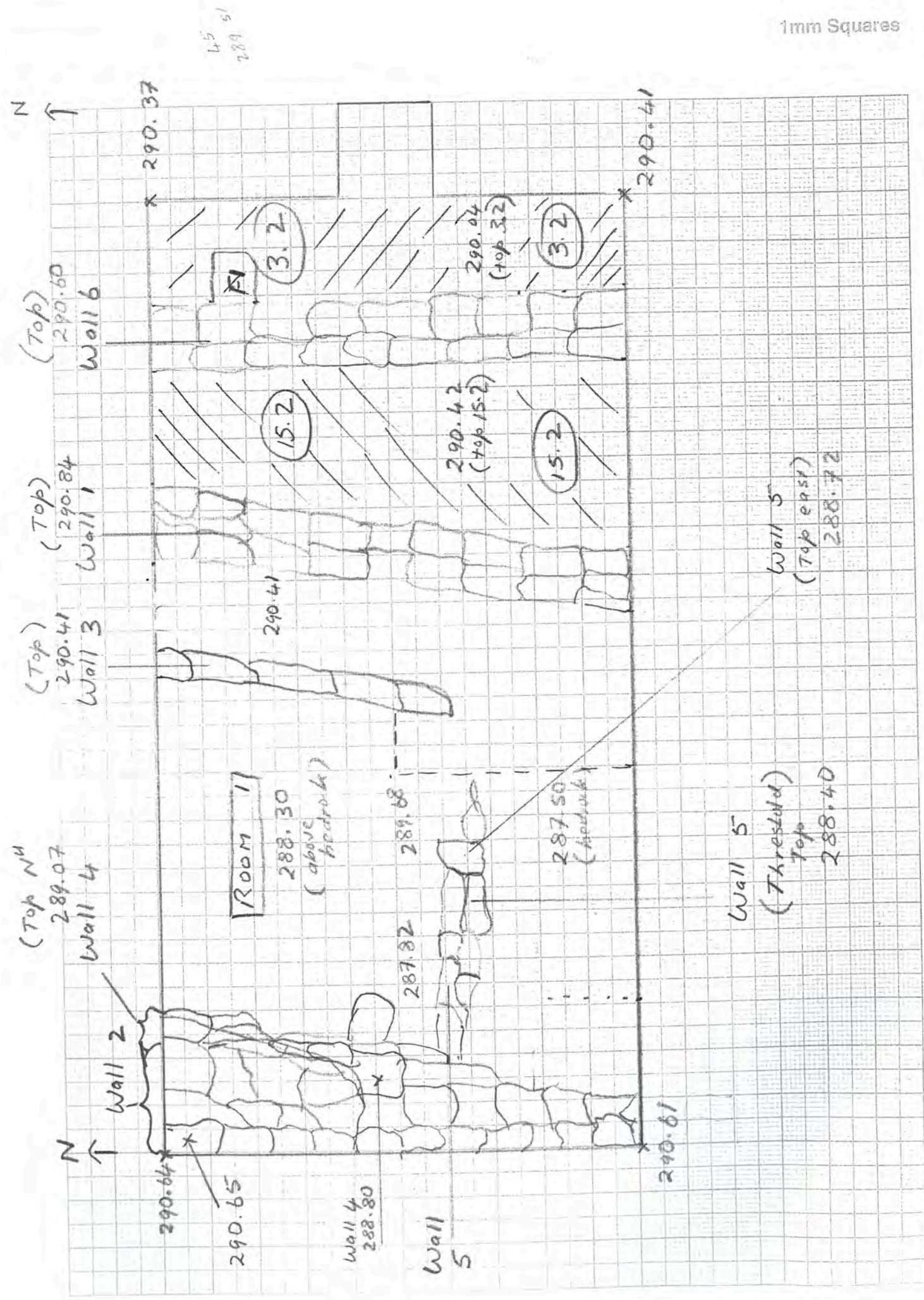


Trench...100.....Initials...JCT.....Date...27/4 Page...2  
 Locus...15.2 Spit...2..... Locus.....Spit..... Feature/s.....

	No. of bags	Cont	Cont
Pottery	1		
Bone	1		
Charcoal			
Other (Tile)			
Photos bw			
Photos col.			

No.	Object	Cont	Cont
1	Corn (08.003)	Cleaning	
	[Selected - unidentified]		

Context	Report
	After general trench cleaning (including 4 fallen blocks of Wall 3) we commence digging in loc 15.2 and 3.2
	Corn - [S.I.F.] - from cleaning 08.003
15.2	Tumble (equivalent to 3.2)
	Is above: 20.1
	Is below: 15.1
	Tumbled fieldstones from Walls 1 and 6.
	Also stone chips.
	Continued on p 6







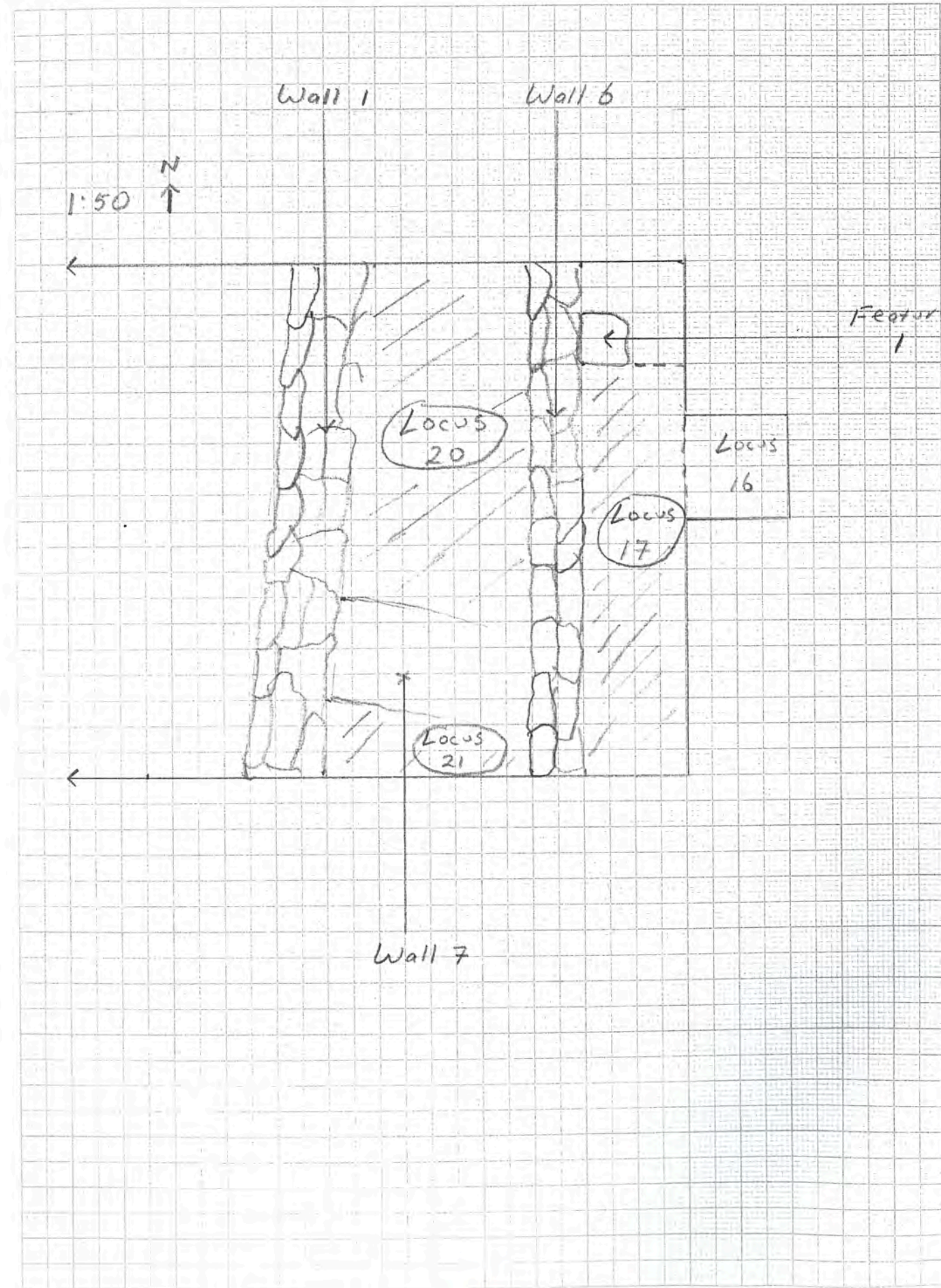


Trench.....100.....Initials.....JCT.....Date.....28/4... Page...6  
 Locus.....15A Spit.....2 Locus..... Spit..... Feature/s.....

	No. of bags	Cont	Cont
Pottery		1	
Bone		1	
Charcoal			
Other (Tile)	metal	1	
Photos bw			
Photos col.			

No.	Object	Cont	Cont

Context	Report
15.2	Tumble
	Continuation from p. 2
	Wall 7 Now appearing to S <sup>u</sup>
	of locus - runs E-W
	∴ cease.
	Change to loci 20 (N <sup>u</sup> ) &
	21 (S <sup>u</sup> ).
	See p. 12 for Locus 20



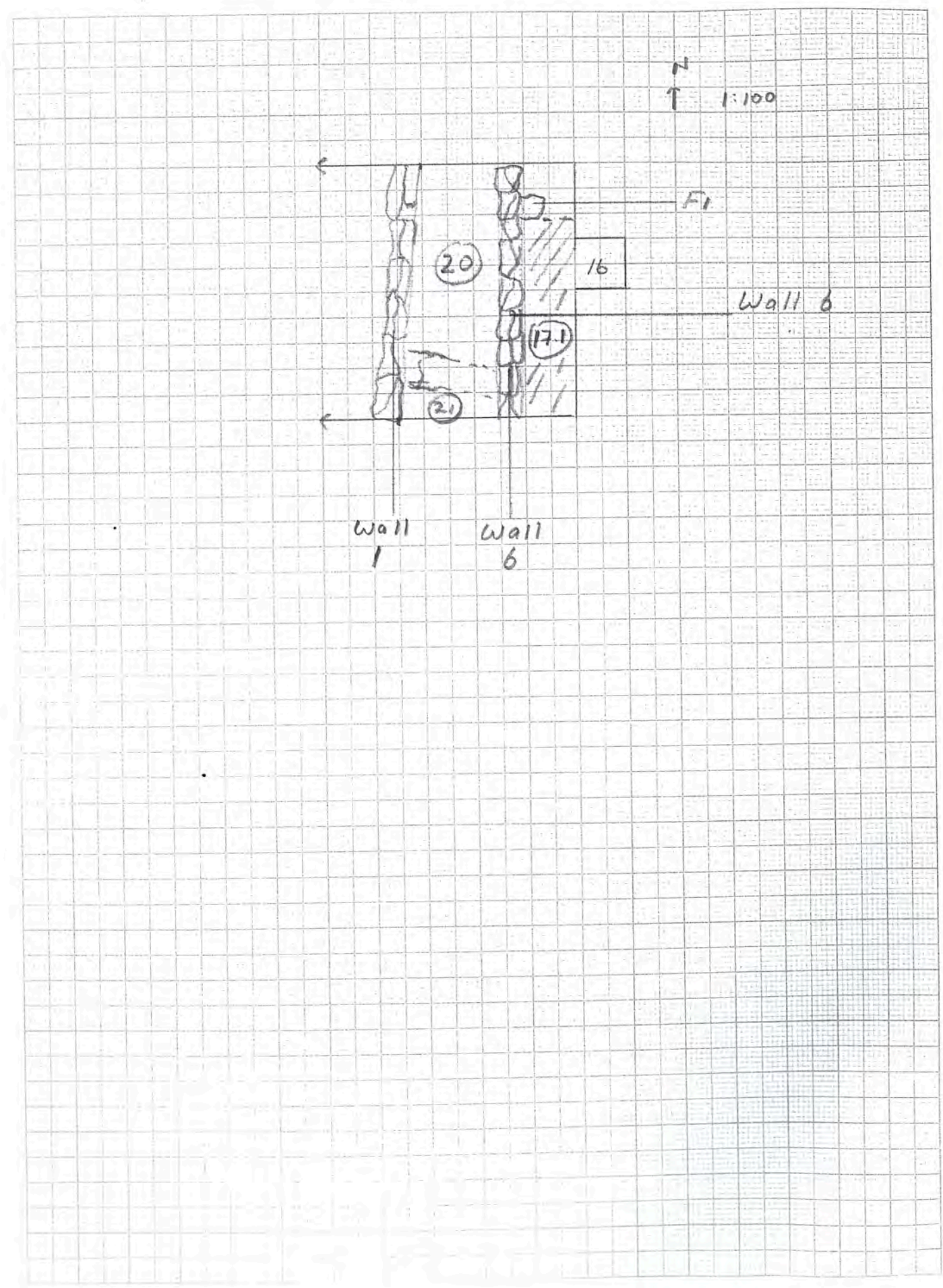


Trench.....100.....Initials.....JG.....Date.....28/4 Page...8  
 Locus.....3.....Spit.....2.....Locus.....17.....Spit.....1.....Feature/s.....1.....

	No. of bags	Cont 3.2	Cont 17.1
Pottery		1	
Bone		1	
Charcoal			
Other (Tile)	metal	1	
Photos bw			
Photos col.			

No.	Object	Cont	Cont
2	Spindle Wheel (Stone)	3.2	08.016

Context	Report
3.2	Tumble Continuation Still plentiful stone chips
08.016	[S.F. 2] = Spindle Wheel (Stone)
	Possible door jamb or buttress to Nth ∴ change locus and dig to Sth of this structure. Jamb/buttress = F1 ↳ 17.1 (see plan p7)
17.1	Soft Brown Tumble (equivalent to 3.2) Still tumble but fewer chips - NO! It is above : 17.2 It is below : 3.2
	Continued on page 10
	Pottery: (29/4) Used jars CW1 & CW2 Unq toe ; ESA BS +1





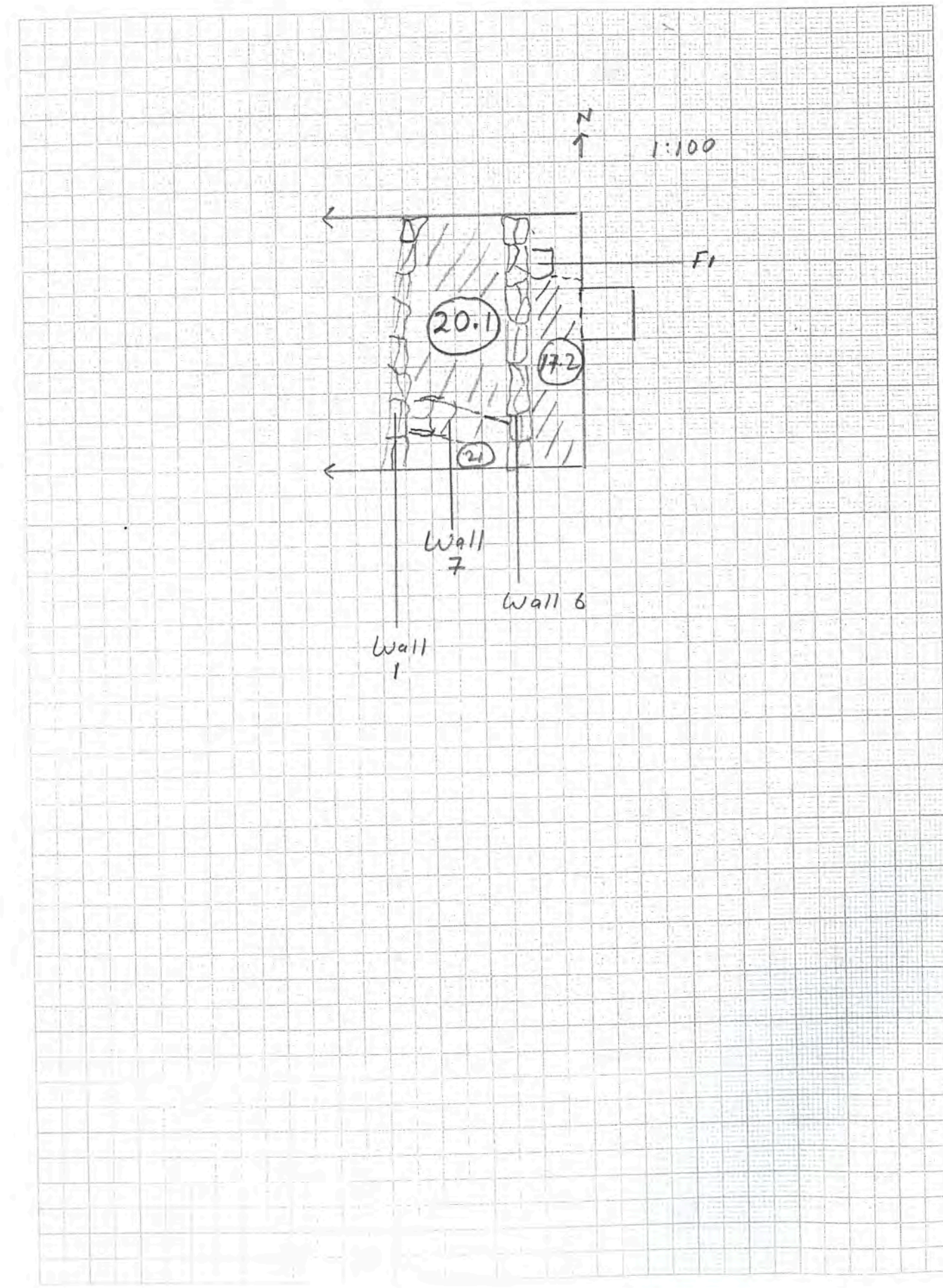
Trench.....100.....Initials...JY.....Date...29/4 Page...10  
 Locus...~~17~~...Spit...1... Locus...17.....Spit...2... Feature/s.....  
 17

	No. of bags	Cont 17.1	Cont 17.2
Pottery		1	
Bone		1	
Charcoal			
Other (Tile)			
Photos bw			
Photos col.			

No.	Object	Cont	Cont
3	Small stone gravel stone (loom weights)	17.1	08.795

Context	Report
17.1	Soft Brown Tumble (Continued) Still multiple tumbled fieldstones Unusual smooth stone + ground stone found just to SE of Feature 1. (loom weights) 08.795 Bagged together as SF 3 - could it be small calapault stone - unlikely <sup>just</sup> <del>loam</del> <sup>weight</sup> <del>stone</del> <sup>stone</sup> <del>stone</del> Now tumbled fieldstones have cleared - much finer soft brown soil ∴ change level → 17.2 Finishing level 1.692 below top F1
17.2	Fine Brown It is above 17.3 It is below: 17.1 Starting level: 288.91  Very soft earth - a small amount of carbon starting to appear. Probable surface not far below? Change level (to 17.3) Finishing level 288.74 Continued p 16

290.60  
1.69  
288.91



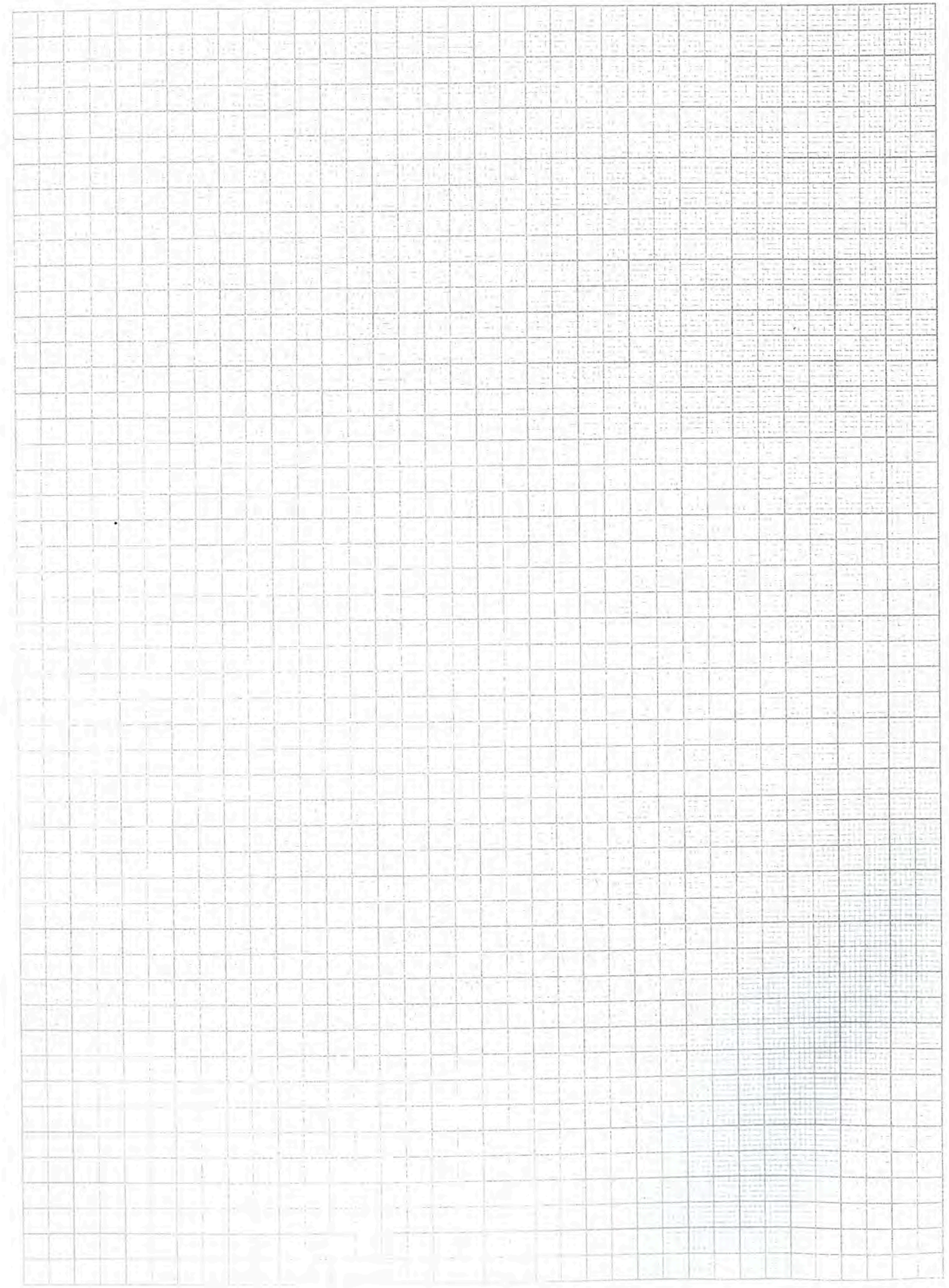


Trench.....100.....Initials..JG.....Date...29/4 Page...12  
Locus...20...Spit...1... Locus.....Spit..... Feature/s.....

	No. of bags	Cont 20.1	Cont
Pottery		1	
Bone		1	
Charcoal			
Other (Tile)		1 (msh)	
Photos bw			
Photos col.			

No.	Object	Cont	Cont

Context	Report
20.1	Tumble
	It is above : 22.1
	It is below : 15.2
	Starting to come down in soft ashy level
	Possible E-W wall (or doorway?) in N <sup>d</sup> sector. Plan to change locus and dig to S <sup>d</sup> of it (ie between it [Wall 8] and Wall 7
	Finish at level : 1.09m below top of N <sup>d</sup> Wall 1 [ 290.84 - 1.09 = 289.75
	Pottery
	CPW
	used jars, amph lab, long
	ESA - Hager 3
	GG2 - EB 1



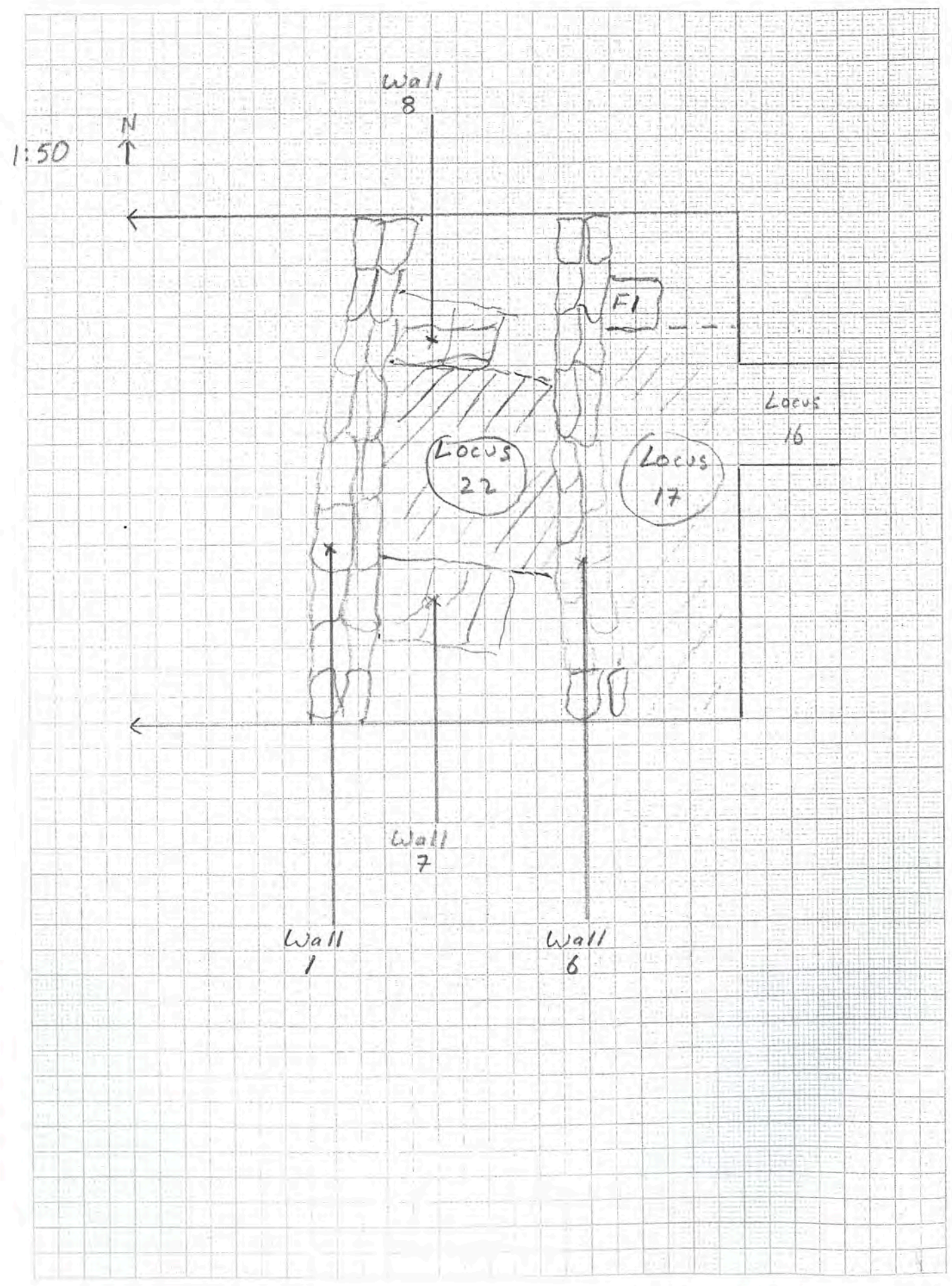


Trench.....100.....Initials.....JCT.....Date.....29/4.....Page.....14  
 Locus.....22.....Spit.....1..... Locus.....Spit..... Feature/s.....

	No. of bags	Cont 29/4	Cont 30/4
Pottery		1	1
Bone		1	1
Charcoal			1
Other (Tile)		1 <i>glaz</i>	1 <i>glaz</i>
Photos bw			
Photos col.			

No.	Object	Cont	Cont

Context	Report
22.1	Soft Ashy
	It is above : 22.2
	It is below : 20.1
	Starting level : 289.75
	Between Walls 7 + 8
	Consistent layer - rather unusual
	30/4/08
	Continuation of locus between Walls 7 + 8.
	Wall 7 now battered out ∴ change levels just below (→ 22.2). Possibly Wall 7 may be later "squatter" activity.
	Pottery:
	29/4 1 Red glaze bowl ring base
	1 GGZ BS
	→ Page 18
	30/4 1 ESA H 22 Ban
	Rest CW





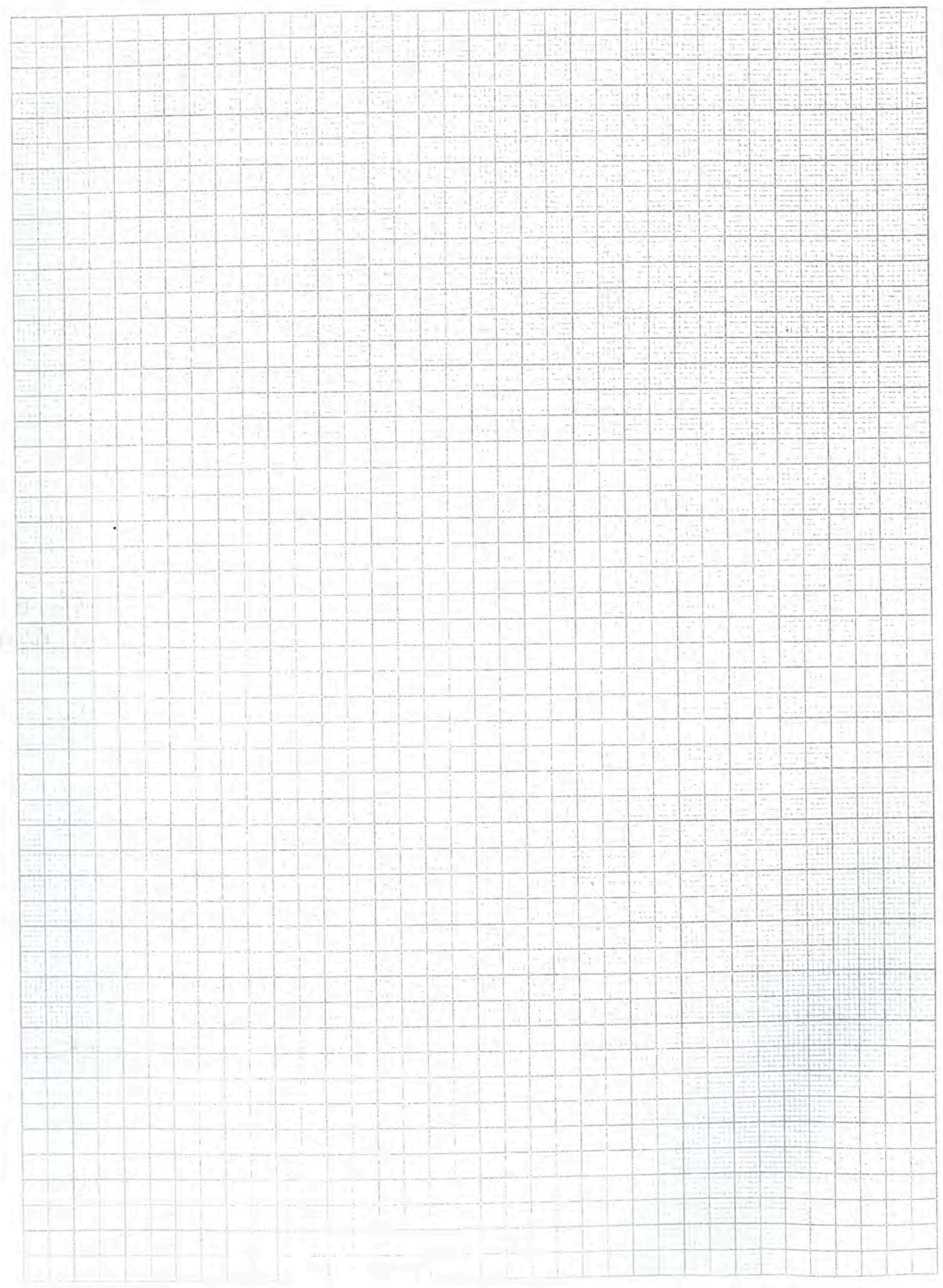
30/4

Trench...100.....Initials...JCT.....Date...2/1/4 Page...16  
Locus...17...Spit...3... Locus.....Spit..... Feature/s.....

	No. of bags	Cont	Cont
Pottery		1	
Bone		1	
Charcoal			
Other (Tile)		1 gm	
Photos bw			
Photos col.			

No.	Object	Cont	Cont

Context	Report
17.3	Above Floor
	It is above 17.4
	It is below 17.2
	Starting level: 288.74
	Have come on to tamped earl floor - cleared above & on but to be photographed later & then removed ∴ clear here pro tem - to be scraped later (see page 36) - 17.4
	Finishing level
	Pottery:
	Unnat CW jars
	ESA stopper +1
	Red unnat pitcher
	Unng



737  
1.100  
1.837

737  
1.168  
1.905

290.600  
1.832  
288.768

290.60  
1.900  
288.700



Trench.....100.....Initials...JG Date...~~3/5~~ Page...18  
 Locus...22...Spit...2... Locus...22...Spit...3... Feature/s.....

3/5  
1/5

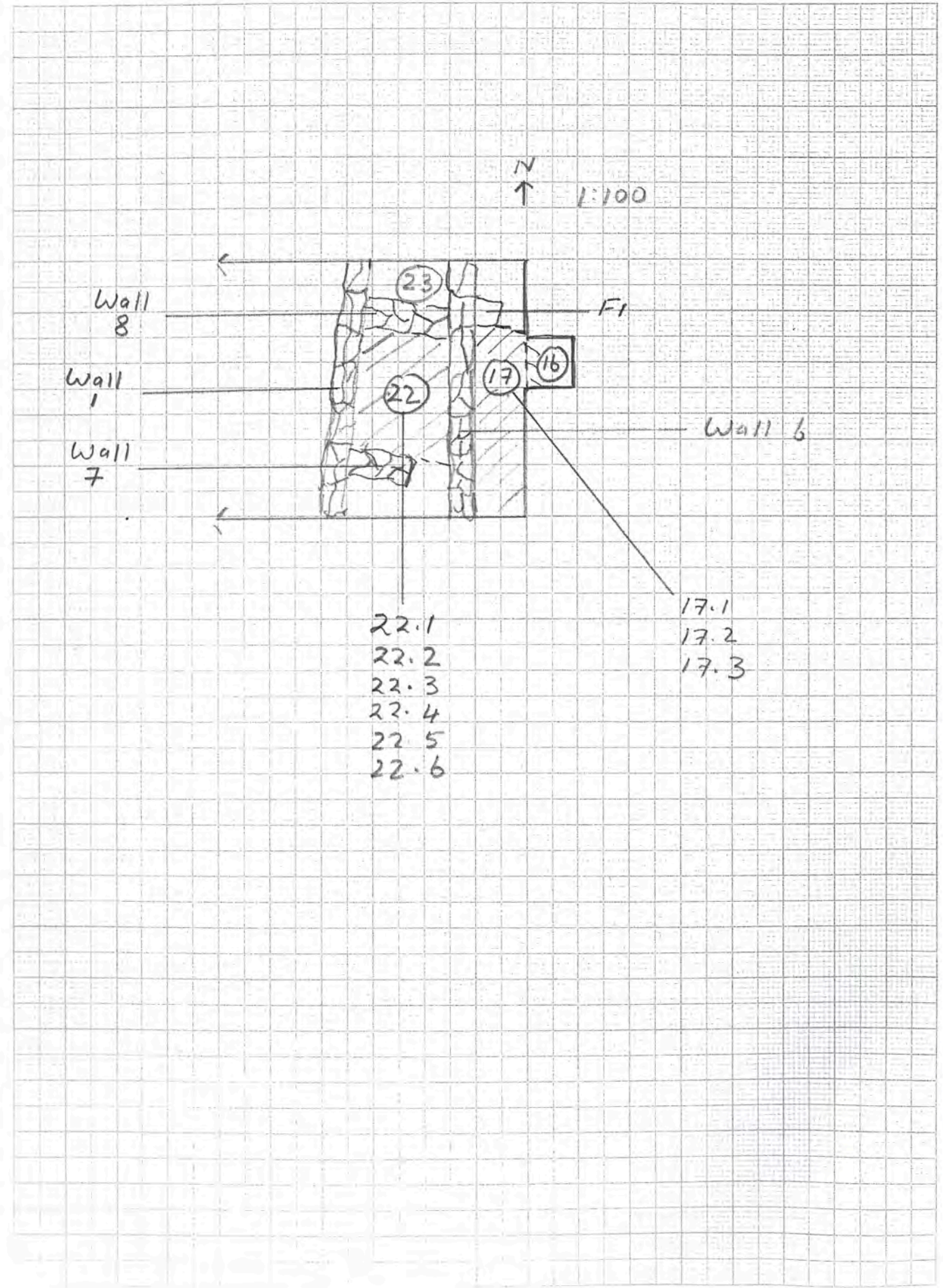
	No. of bags	Cont 22.2 (1/5)	Cont 22.3 (3/5)
Pottery		1	1
Bone		1	1
Charcoal			1
Other (Tile)			
Photos bw			
Photos col.			

No.	Object	Cont	Cont
4	Corn	wall 6	08.118
5	Bead	22.2	08.124
Anker III (22-187 Be)			

Context

Report

22.2	Soft Ashy Below lowest corner of Wall 7 It is above : 22.3 It is below : 22.1
08.118	Corn - [SF 4] - from within Wall 6 when cleaning - 0.86m below top of Wall Tiny bead - [SF 5] 08.124 Coming on to firm tamped earth floor - 22.2 removed, then change level → 22.3 Pottery : No FW DBs & beads Civ
22.3	Firm - ? surface (NO!) - occupation (3/5/08) It is above : 22.4 It is below : 22.2 Starting Level Still similar to 22.2 & Nat a surface but occupation debris But some charcoal & bone



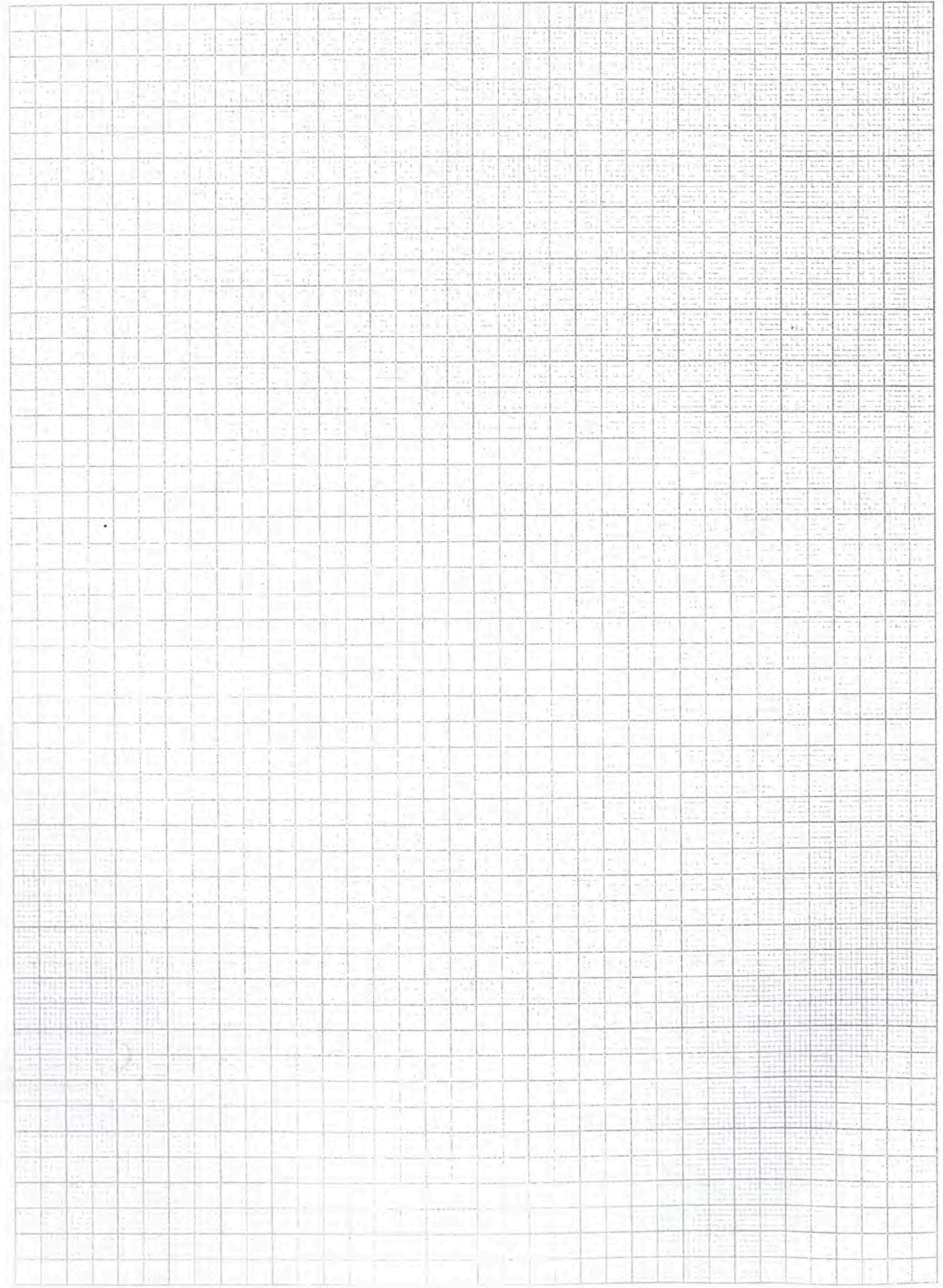


Trench.....100.....Initials.....<sup>4/5</sup>.....Date.....3/5 Page.....20  
 Locus.....22.....Spit.....3 Locus.....22.....Spit.....3.. Feature/s.....

	No. of bags	Cont. <sup>4/5</sup> 22.3	Cont
Pottery		1	
Bone		1	
Charcoal			
Other (Tile)			
Photos bw			
Photos col.			

No.	Object	Cont	Cont
6	Lamp	22	3
	08.142		
	Med 2 <sup>nd</sup> C		

Context	Report
22.3 (Contd)	Lamp - SF 6 08.142
	4/5/08
	Continuation off 22.3 - to remove this level and then change level (22.4) as former surface below. Level removed. Change to 22.4 → page 28
	Pottery
	4/5 CW incl 53 + EB





Trench.....100.....Initials.....JCT.....Date.....30/4 Page...22  
 Locus...30...Spit...1... Locus...30...Spit...2... Feature/s.....

	No. of bags	Cont 30.1	Cont 30.2
Pottery	3	1	1
Bone	3	1	1
Charcoal			
Other (Tile)			1 metal
Photos bw			
Photos col.			

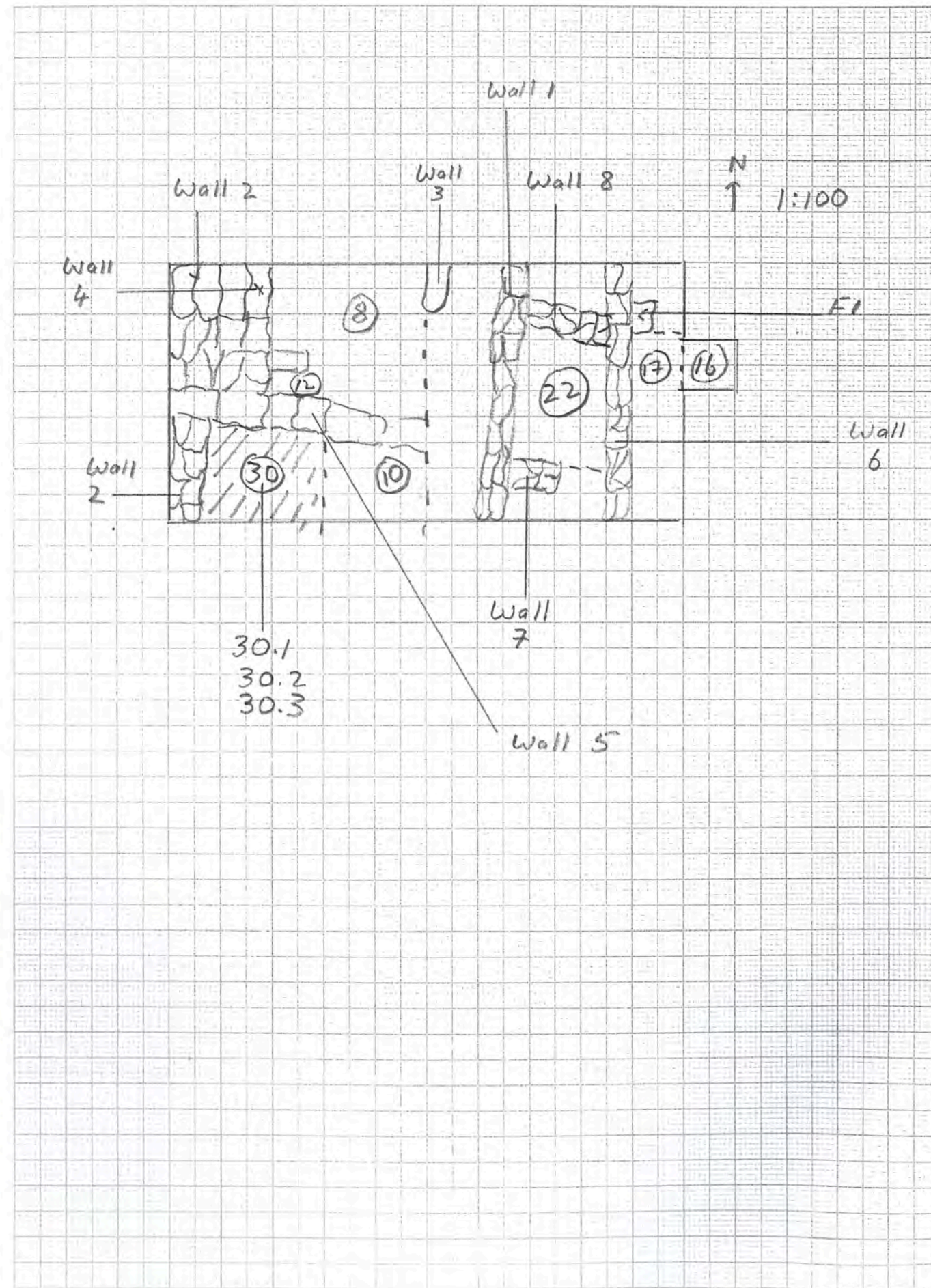
No.	Object	Cont	Cont

Context

Report

30.1	Sub-flooring (Below 7.1 from 2006)
	Removal of partially dug (in 2006) south-west corner of trench to explore relationship between Walls 2 and 5. I would expect Wall 5 to return into Wall 4 and only Wall 2 to continue to S - but we still see!
	The upper surface of 30.1 is level with the bottom of Wall 2 & thick plaster ∴ dug to ~ 20 cms then → 30.2
	Wall 4 continues down
	Pottery: Echem Bowl - F136
30.2	
	It is above 30.3
	It is below 30.1
	Starting level:
	The very thick plaster floor ( ) runs right up to Wall 4 ∴ associated with it

Pottery: Ordinary CW



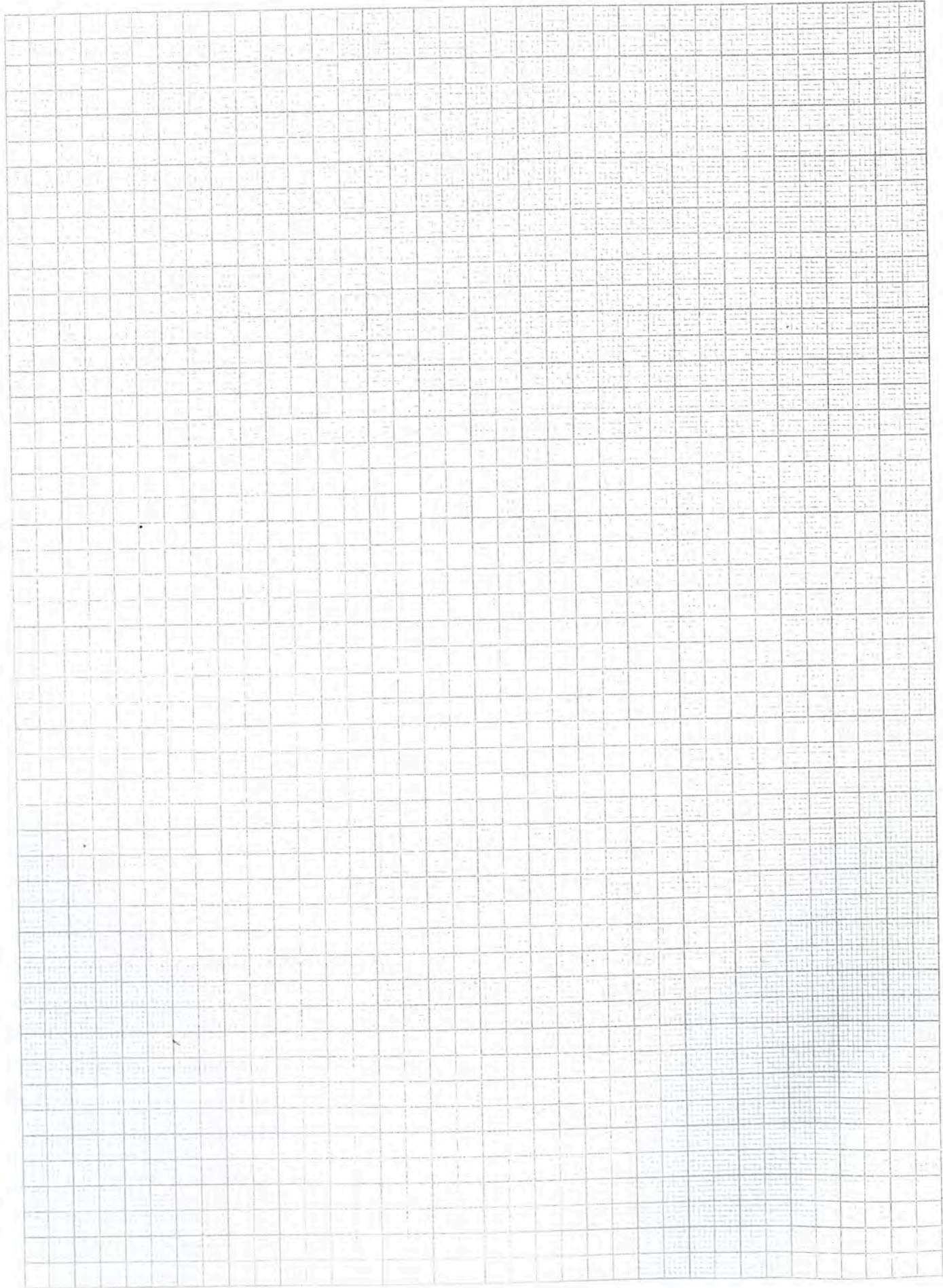


Trench...100.....Initials...JG.....Date...1/5..... Page...24  
Locus...30.....Spit...3..... Locus.....Spit..... Feature/s.....

	No. of bags	Cont 30.3	Cont
Pottery		1	
Bone		2	
Charcoal			
Other (Tile)			
Photos bw			
Photos col.			

No.	Object	Cont	Cont

Context	Report
30.3	Debris Above Jebel
	It is above : Jebel
	It is below = 30.2
	Arbitrary change to isolate any find above jebel.
	Minimal pottery
	No bone
	Jebel reached & scraped
	Finish
	Pottery: ESA H3 72





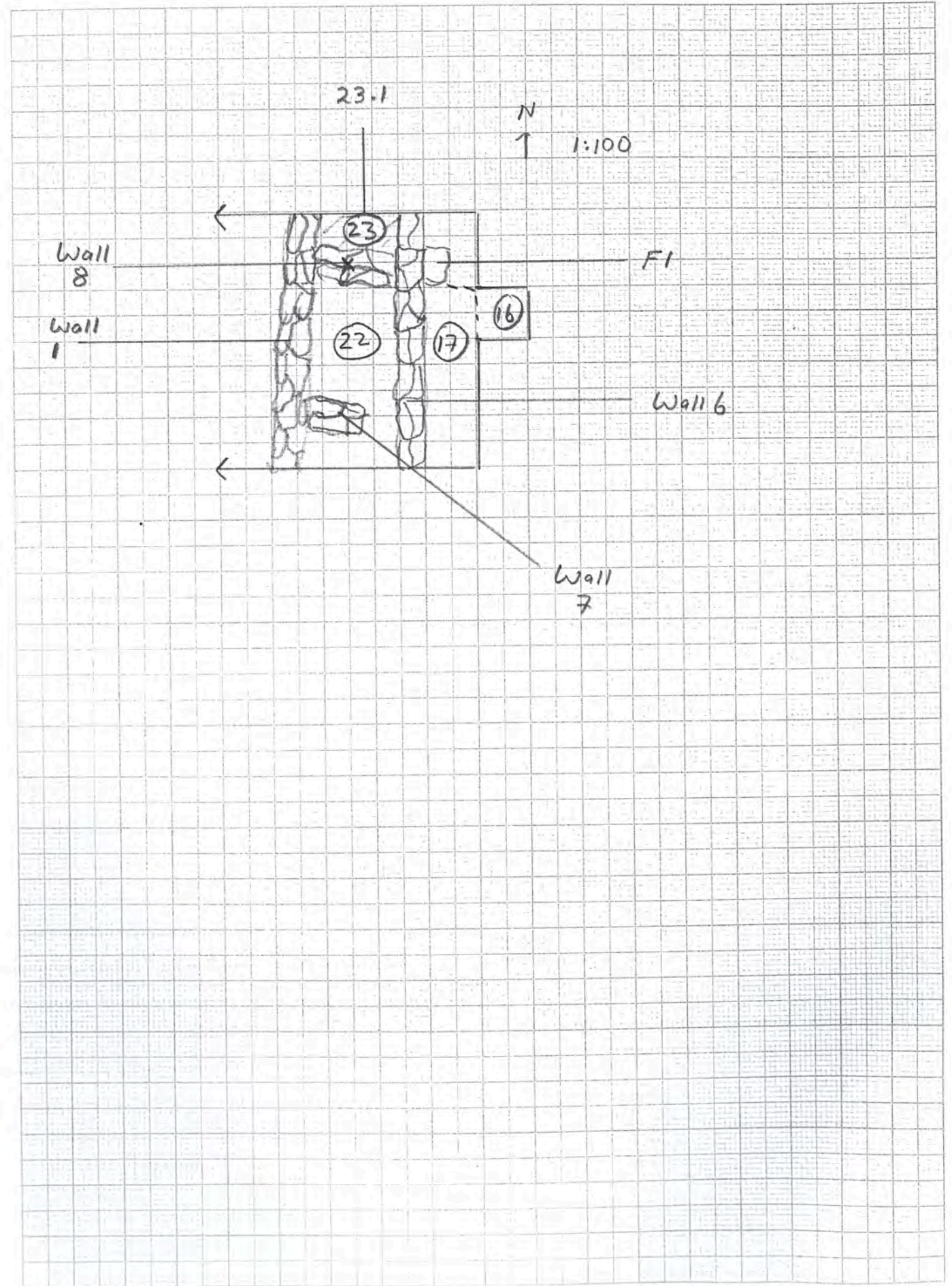
3/5  
~~3/5~~

Trench.....100.....Initials.....Date...1/5 Page...26  
 Locus...23...Spit...1... Locus.....Spit..... Feature/s.....

	No. of bags	Cont 23.1 1/5	Cont 23.1 3/5
Pottery		1	1
Bone			
Charcoal			
Other (Tile)			
Photos bw			
Photos col.			

No.	Object	Cont	Cont

Context	Report
23.1	N <sup>d</sup> of Wall 8 It is above It is below 20.1
1/5/08	Commence this small locus. Possibly coming on to fenest surface below?
3/5/08	as above Continue 23.1 — <del>as</del> as finished already) only a few pans. Cease.
	Pottery
	3/5/08 Urn CW.
	1/5/08 ESA H 14B

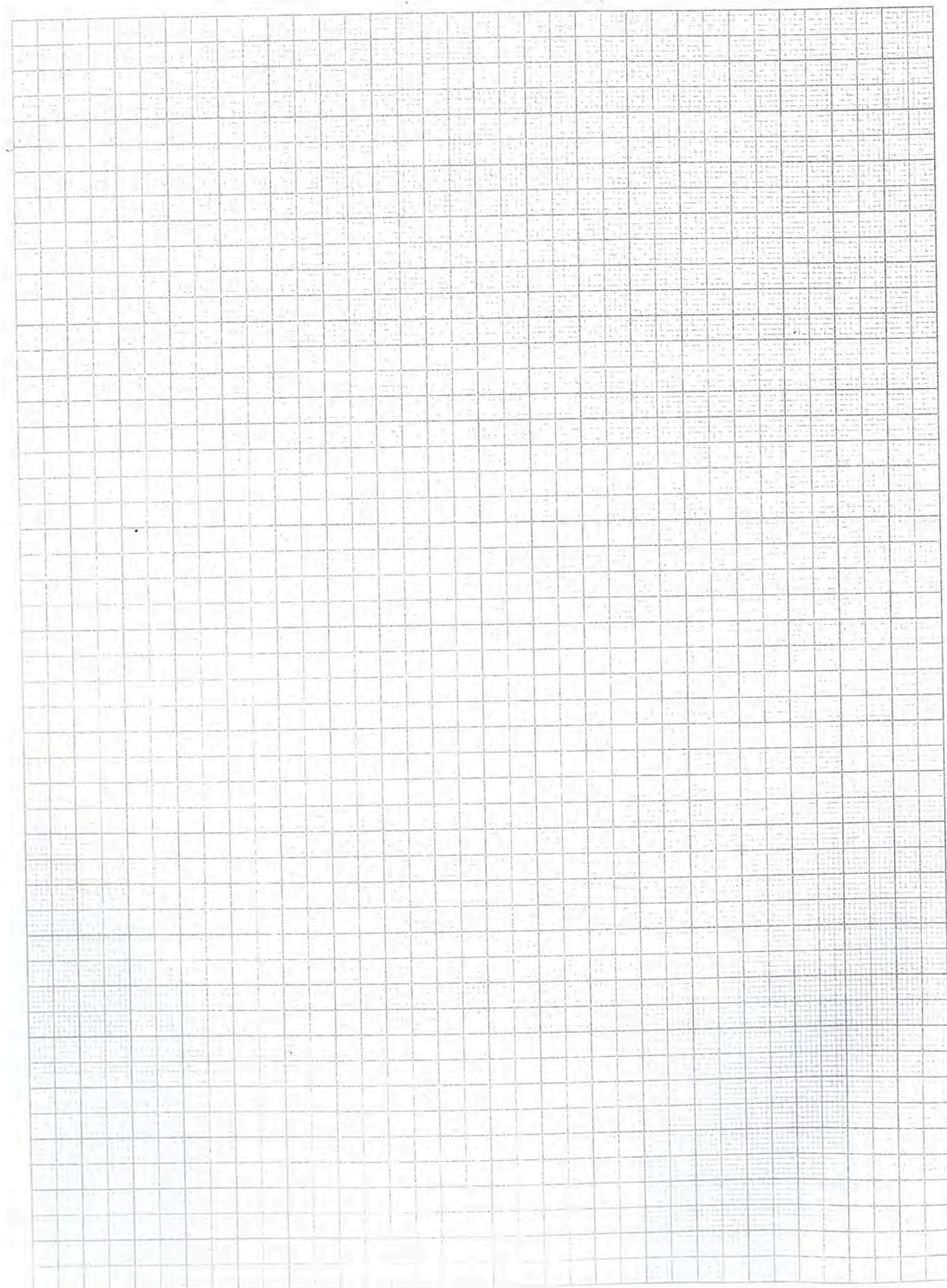




Trench...100.....Initials...JCT.....Date...4/5... Page...28  
Locus...22.....Spit...4..... Locus.....Spit..... Feature/s.....

	No. of bags	Cont 22/4	Cont
Pottery		1	
Bone		1	
Charcoal		1	
Other (Tile)			
Photos bw			
Photos col.			

No.	Object	Cont	Cont
7	AE Corn	22.4	OS.178
L	L selected →		
	unidentified —		
	possibly Ant III ]		



Context Report

Context	Report
22.4	
	It is above 22.5
	It is below : 22.3
	Many fieldstones (tumbled from walls) + bone. No obvious occupation surfaces.
OS.178	[SF 7] - Corn - 2.50m below top of Wall 1 and really below fieldstone
	Now new level below fieldstones
	End at 2.50m below top of Wall 6 (lower than Wall 1 - NB!)
	Pottery
	CW jar sherds
	CW bowls & jugs.



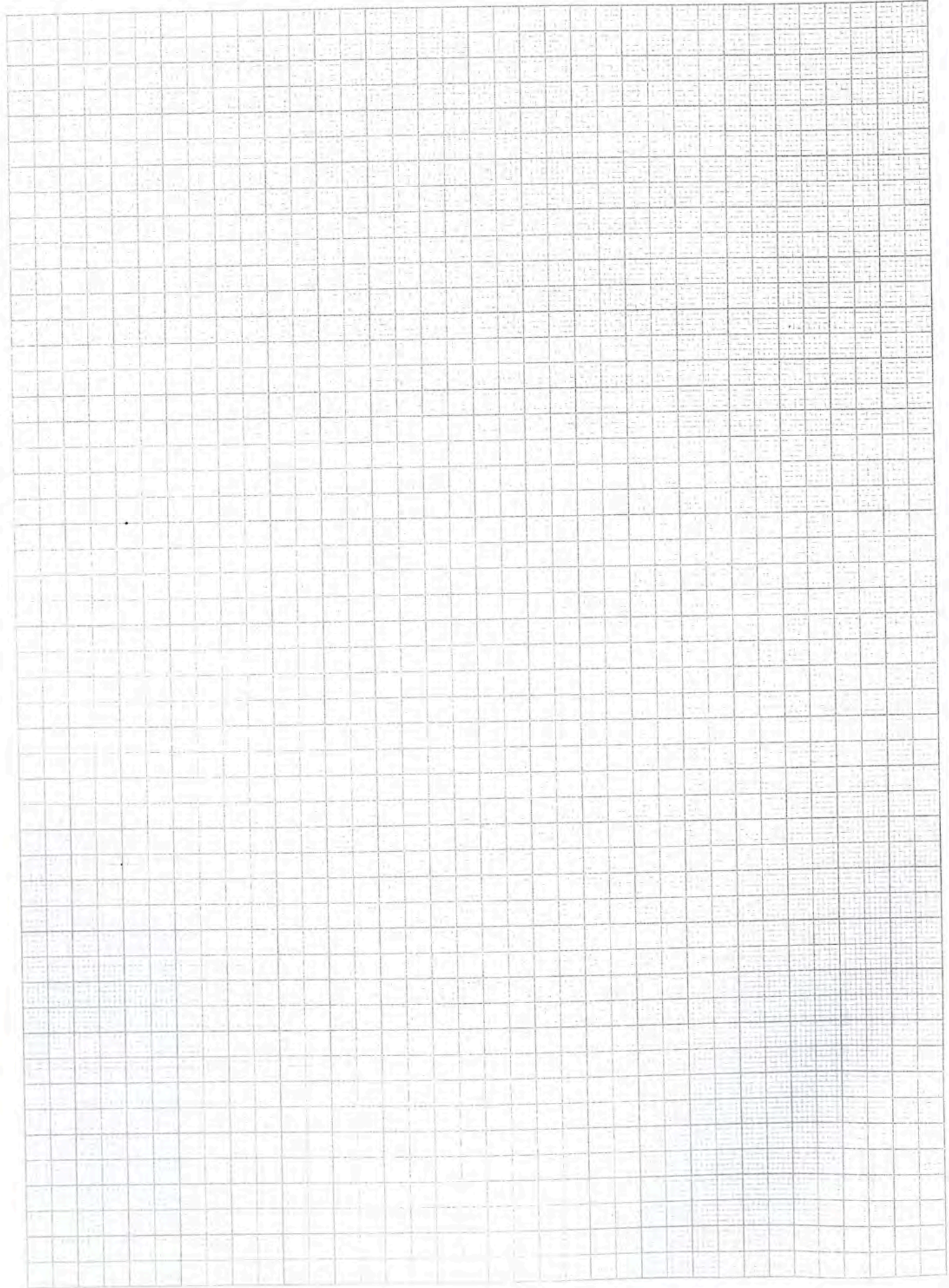
Trench.....100.....Initials...JCT.....Date...4/5 Page...30  
Locus...22...Spit...5... Locus.....Spit..... Feature/s.....

	No. of bags	Cont 22/5	Cont
Pottery		1	
Bone		1	
Charcoal		1	
Other (Tile)			
Photos bw			
Photos col.			

No.	Object	Cont	Cont
8a	FE Coen	22.5	08.218
11	Lamp (LR)	22.5	08.320
	First half 2 <sup>nd</sup> C		
	(LR)		

Selected - unidentified

Context	Report
22.5	Below Stone Tumble
	It is above : 22.6
	It is below : 22.4
	Starting : 2.50m below top Wall 6
	Now occupation surface - ash, bone, pottery
08.218	FE Coen - [S.F 8a] - 2.50m below top of Wall 6 - ie at top of this level
	Now cleared occupation debris to former floor ∴ cease & change to 22.6
	Late Roman / Byz lamp - [S.F 11] - from pottery <i>maybe</i> 08.320
	Pottery
	Usual CW
	One possible Western TS (decorated)
	→ clean & inventory = <u>08.273</u>





32

Trench.....100.....Initials.....JCT.....Date.....5/5.....Page.....32  
 Locus.....22.....Spit.....6.....Locus.....Spit.....Feature/s.....

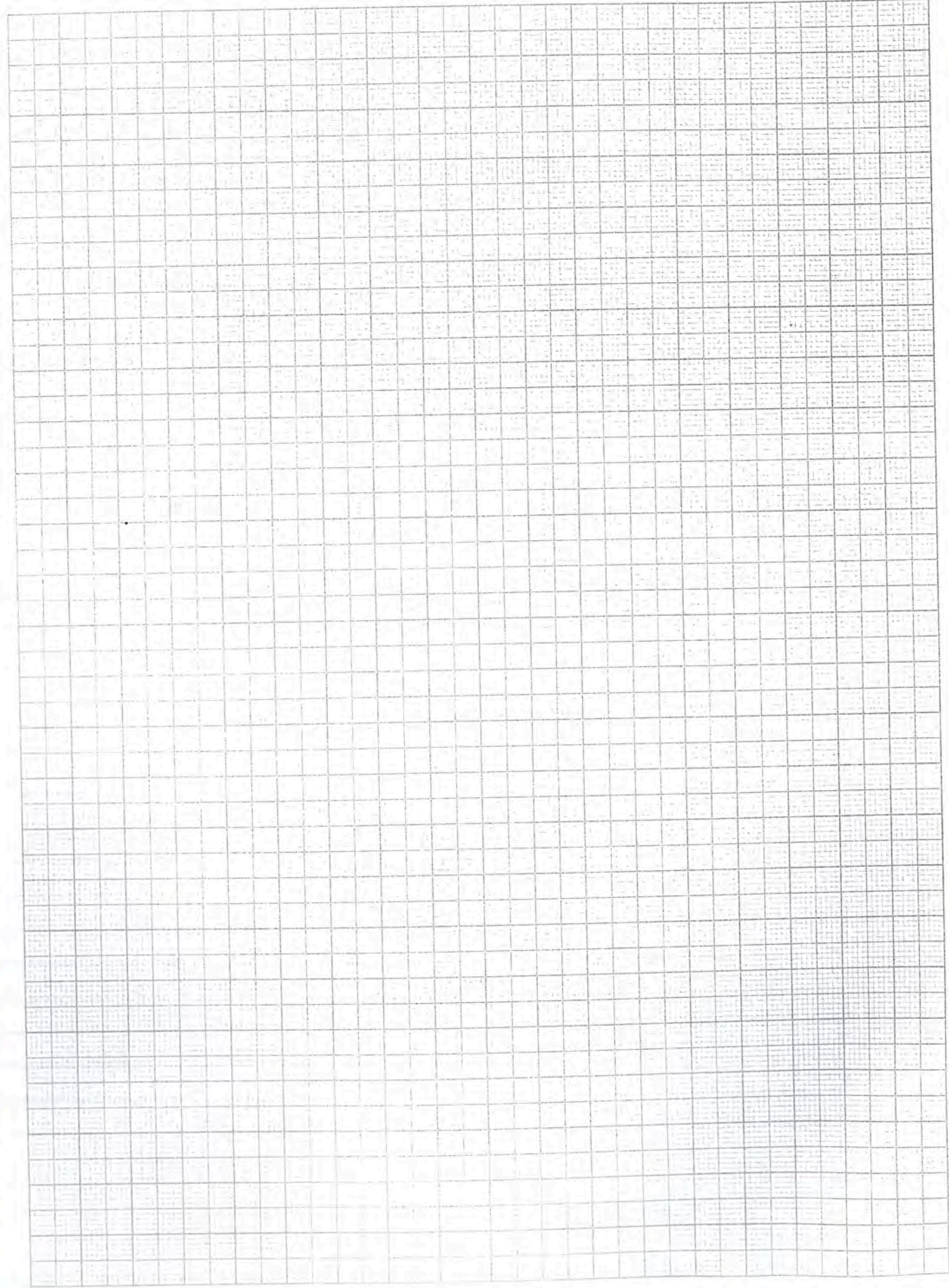
	No. of bags	Cont 22-6	Cont
Pottery		1	
Bone		1	
Charcoal		1	
Other (Tile)			
Photos bw			
Photos col.			

No.	Object	Cont	Cont
8b	AE Corn	22.6	08.244
	[Unidentified Selected - possibly Inductor III]		

Context

Report

22.6	Floor
	It is above jebel
	It is below 2.5
	Starting Level
	From tamped earth floor being carefully dug
	AE Corn - <span style="border: 1px solid black; padding: 2px;">SF 8b</span> 08.244
	All removed to bedrock



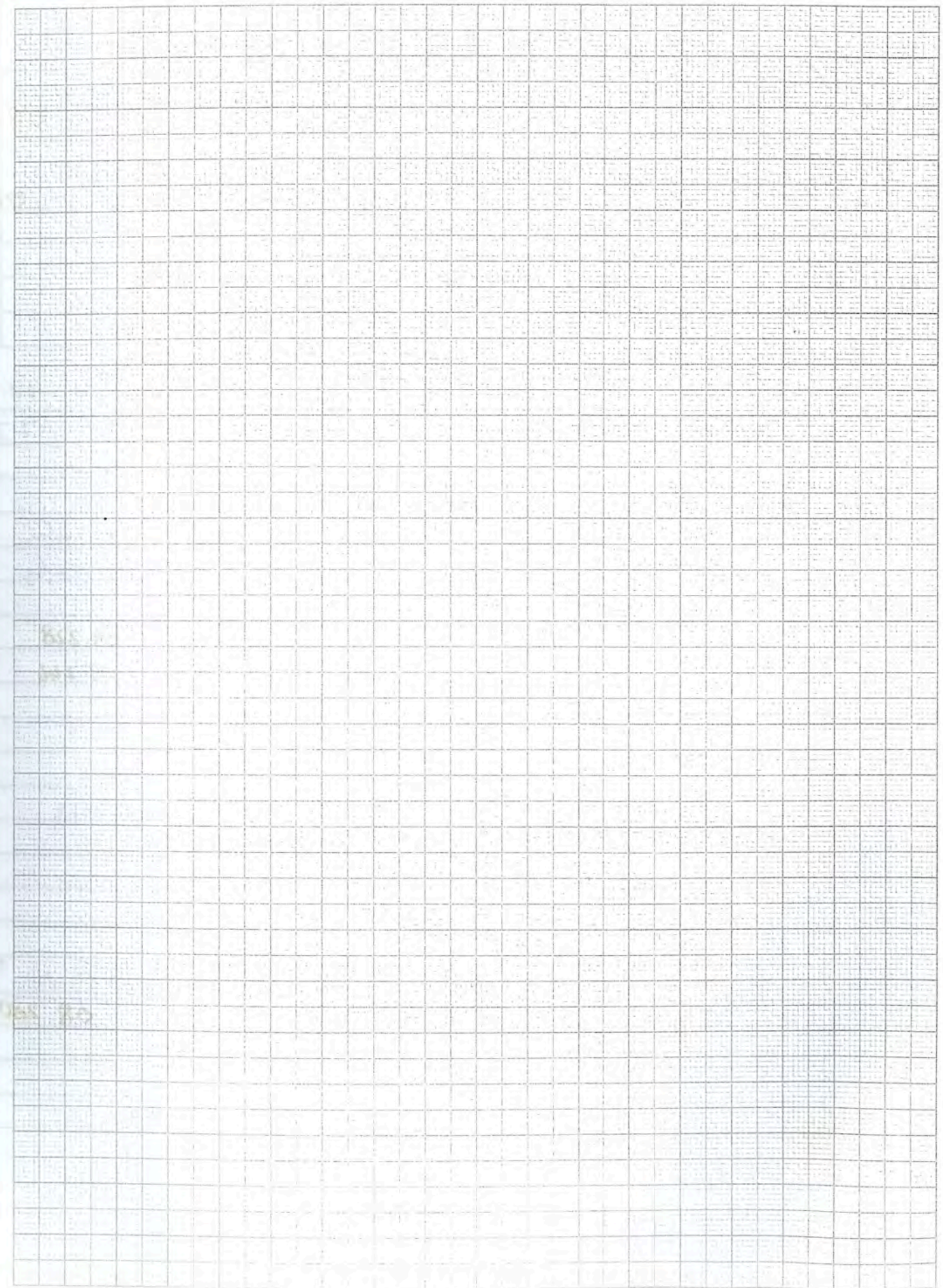


Trench.....100.....Initials...J&T.....Date..... Page.... 34  
Locus.....Spit..... Locus.....Spit..... Feature/s.....

	No. of bags	Cont	Cont
Pottery			
Bone			
Charcoal			
Other (Tile)			
Photos bw			
Photos col.			

No.	Object	Cont	Cont

Context	Report



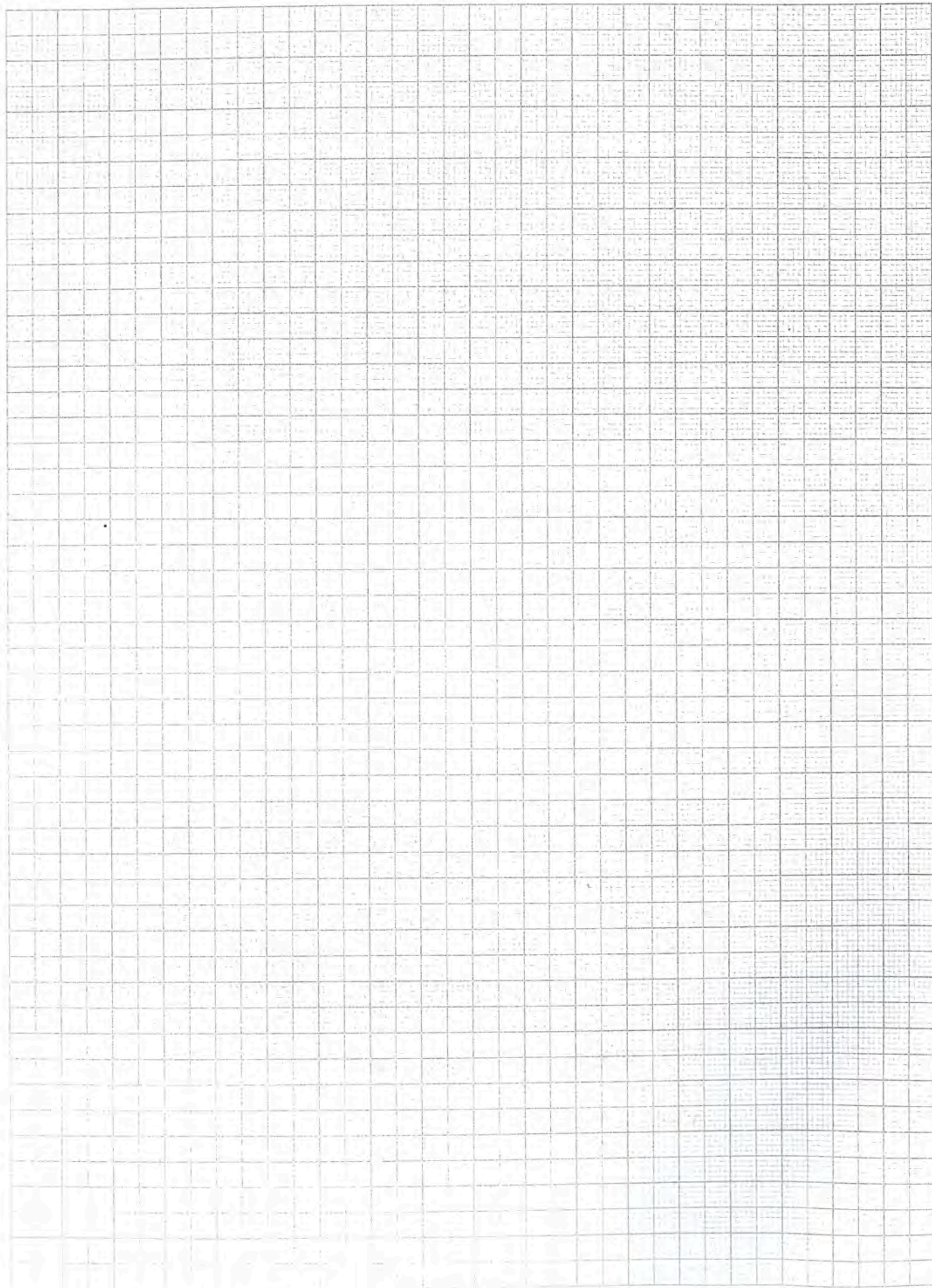


Trench.....100.....Initials...JCT.....Date...5/5 Page...36  
Locus...17.....Spit...4..... Locus.....Spit..... Feature/s.....

	No. of bags	Cont 17.4	Cont
Pottery		1	
Bone		1	
Charcoal		1	
Other (Tile)			
Photos bw			
Photos col.			

No.	Object	Cont 17.4	Cont
9	Stone spindle whorl	17.4	08.228
10	Stone loom weight	17.4	08.246
12	Lamp nozzle 2nd C	17.4	08.280

Context	Report	It is above 17.5
17.4	<del>Above</del> Earlier phase	It is below 17.3
	Wolf Herzman to scrape floor carefully - but still above floor!	
	Continuation - more occupation surface than anticipated so Yabuzo et al. take over	
	Stone spindle whorl - SF 9	08.228
	Stone loom weight - SF 10	08.246
	East bank very friable & partially collapsed - debris removed but NOT included in 17.4	
	→ p 38	
	Lamp Nozzle from pottery - SF 12	08.280





Trench...100.....Initials...JCT.....Date..... Page...38  
Locus...17.....Spit...4 Locus.....Spit..... Feature/s.....

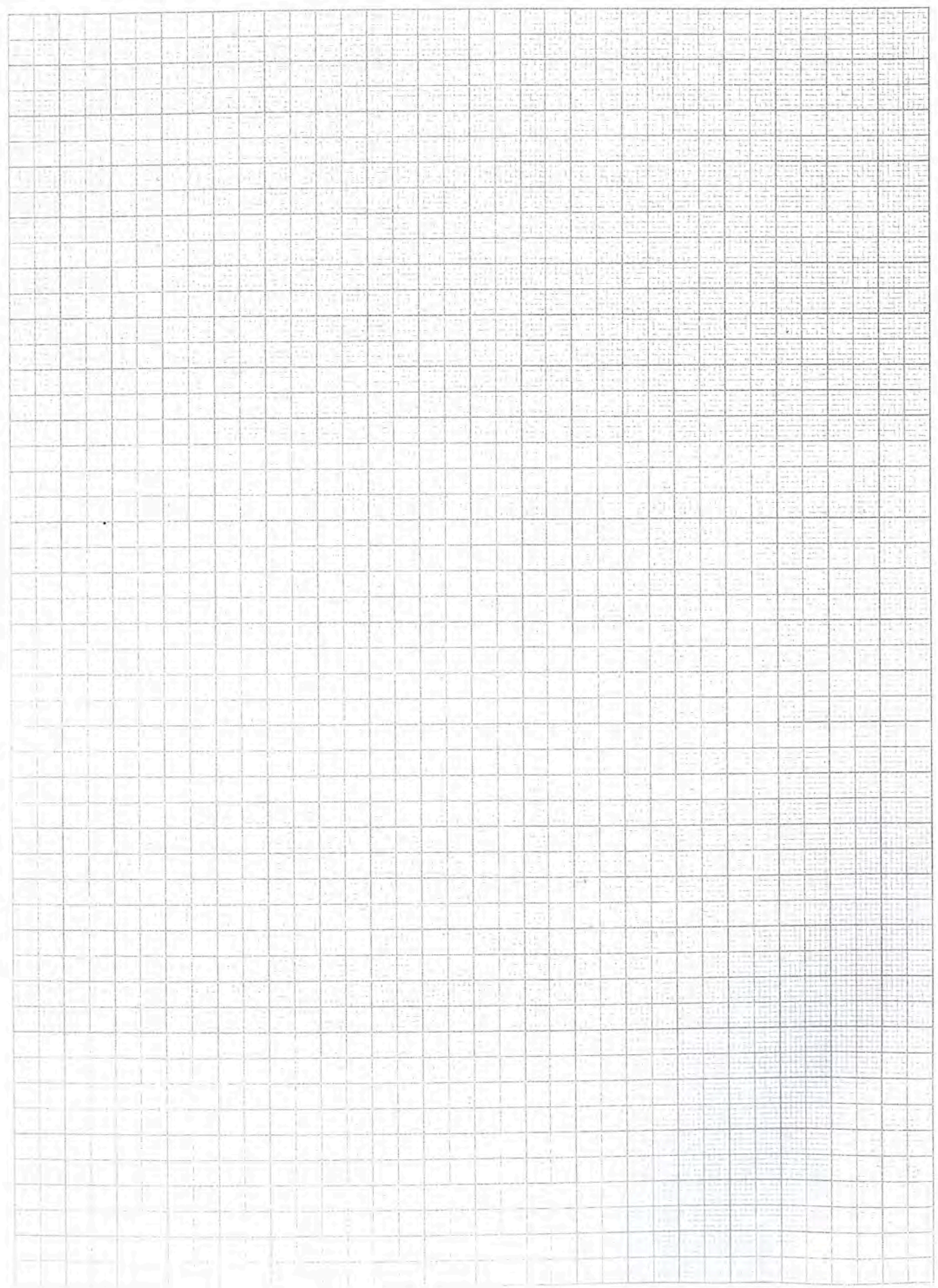
	No. of bags	Cont	Cont
Pottery		1	
Bone		3	
Charcoal			
Other (Tile)			
Photos bw			
Photos col.			

No.	Object	Cont	Cont

Context	Report
17.4	Continued
	Having removed fallen debris from East bank, continuation of 17.4.
	* Possibility of contamination from fallen bank
	NO bone
	Now clear that there is an earlier wall - Wall 9 - mostly under Wall 6 and oriented slightly more N-E to S-W. The blocks appear bigger - the associated level is really 17.4 - NO! 17.5 is associated
	One broken & dozen clay loom weights found - not kept.
	Arbitrary conclusion of 17.4 re that 17.5 (associated with earlier phase) is not contaminated. → pit 0

Pottery

6/5 No drag  
BGW x 1 BS  
usual CW



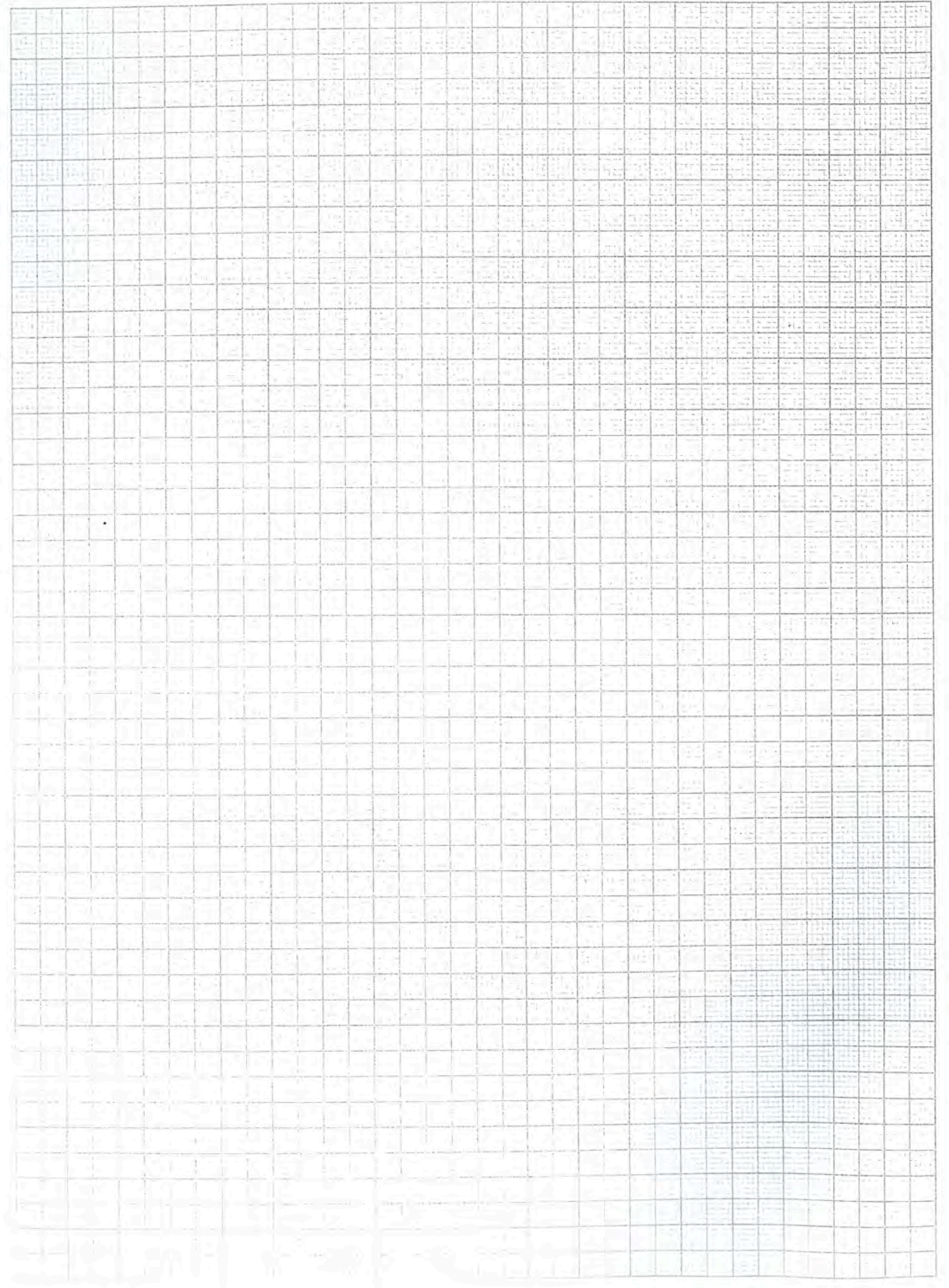


Trench.....<sup>100</sup>.....Initials.....<sup>JS</sup>.....Date.....<sup>6/5</sup>..... Page....<sup>40</sup>  
 Locus...<sup>17</sup>.....Spit...<sup>5</sup>..... Locus.....Spit..... Feature/s.....

	No. of bags	Cont <i>17.5</i>	Cont
Pottery		<i>1</i>	
Bone		<i>E</i>	
Charcoal		<i>1</i>	
Other (Tile)			
Photos bw			
Photos col.			

No.	Object	Cont	Cont

Context	Report
<i>17.5</i>	<i>Firm Orange / Brown</i>
	<i>It is above</i>
	<i>It is below: 17.4</i>
	<i>This level is associated with the earlier Wall 9.</i>
	<i>Trace chancel</i>
	<i>No bone</i>
	<i>The workmen worried about the stability of E bank - fair enough!</i>
	<i>∴ Work stopped unfortunately.</i>





Trench.....Initials.....Date..... Page 42  
Locus.....Spit..... Locus.....Spit..... Feature/s.....

	No. of bags	Cont	Cont
Pottery			
Bone			
Charcoal			
Other (Tile)			
Photos bw			
Photos col.			

No.	Object	Cont	Cont

PAGE	INDEX
1	INTRODUCTION
43	LOCI / LEVELS
43	FINAL PHOTOGRAPHY
	Locus 17
	Locus 22
	Wall 7
	Overall

LOCI / LEVELS	
PAGE	
4	3.2
6	15.2
8-10	17.1
10	17.2
16	17.3
36	17.4
40	17.5
12	20.1
14	22.1
18	22.2
18-20	22.3
28	22.4
30	22.5
32	22.6
26	23.1
22	30.1
22	30.2
24	30.3
FEATURE	
8	F1
FINAL PHOTOGRAPHY	
Locus 17	2550 - 56
Locus 22	2544 - 49
Wall 7	2572 - 76
Overall	2577 - 83



TO DO 2010

100 — TO DO 2010  
See p 23 (2008)  
Extend (17) to east to improve stability

(23) Commence as 23.2 → clearing  
Between Walls 3+1 — excavate

N<sup>d</sup> of Wall 8 — excavate = (23)

S of Wall 7 — excavate

Dig to S Acropolis Wall

Finished (8) (10) (22) (30)



Extend from 17 to east to improve stability

23 — start 23.2 clearing

Between Wall 3+1

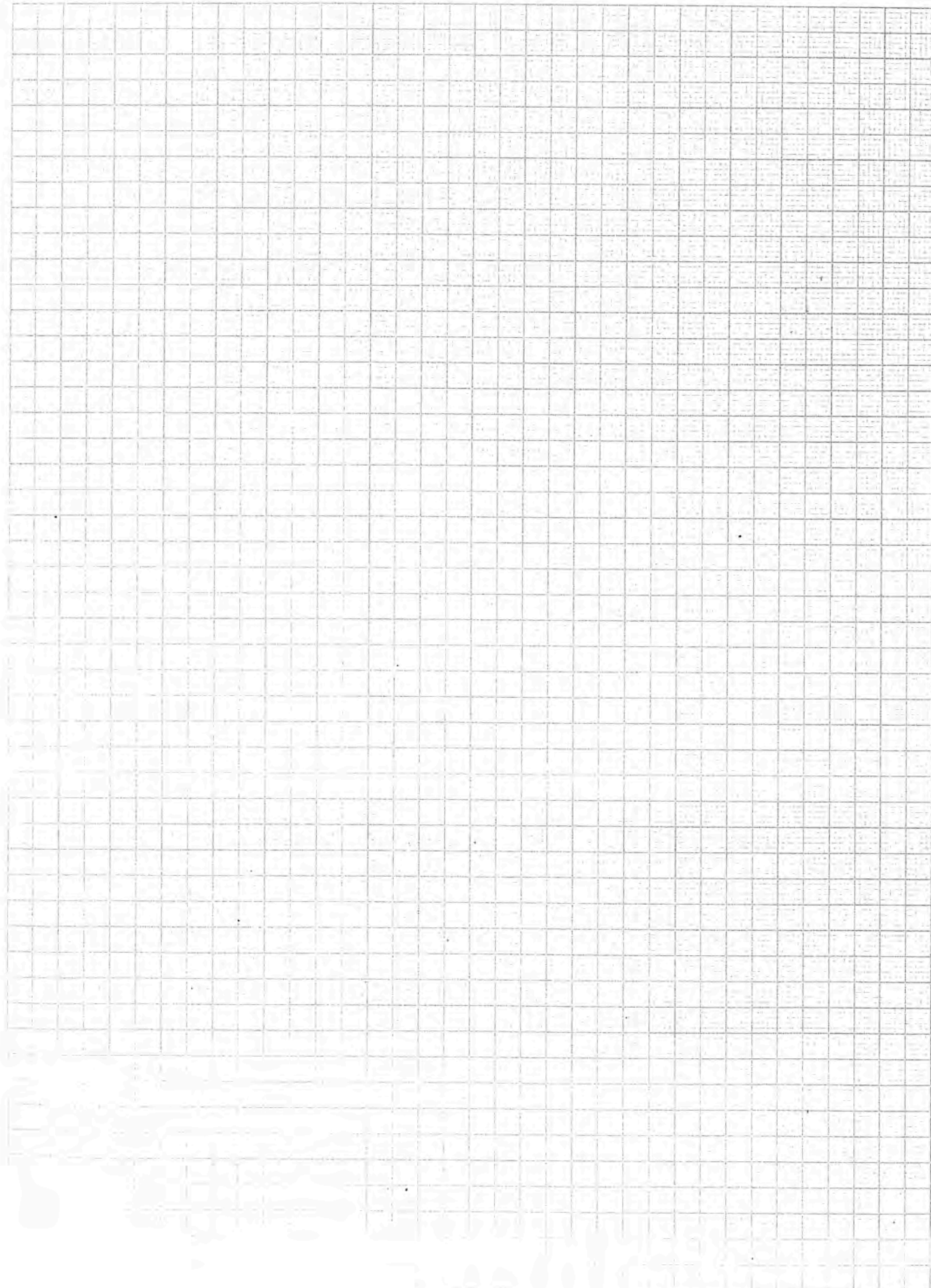
N<sup>d</sup> W 8

S<sup>d</sup> W 7

Dig to S<sup>d</sup> deep wall

Finished  
8+10  
22  
30





Inventoried objects

Trench	Context	No.	Description	Inv. No.	IMAGL	
27/4/08	Acr 100	Unstrat	1	Coin (AE)	08.003	2009-10
28/4/08	100	3.2	2	Spindle Wheel (stone)	08.016	2645
29/4/	100	17.1	3	Stone loom weight	08.795	
1/5	100	Within wall	4	Coin (AE)	08.118	1987-8-91
1/5	100	22.2	5	Bead	08.124	
3/5	100	22.3	6	Lamp	08.142	1934-43 2027-28
4/5	100	22.4	7	AE Coin	08.178	
5/5	100	22.5	8a	AE Coin	08.218	
5/5	100	17.4	9	stone spindlebar	08.228	2040
5/5	100	17.4	10	stone Loom weight	08.246	
5/5	100	22.5	11	LR Lamp	08.320	2793-7
5/5	100	17.4	12	Lamp Nozzle	08.280	2108-11
5/5	100	22.6	8b	AE Coin	08.244	
				Fine Ware	08.273	2251
				FE Furnace	08.023	2324-5
				AE Coin	08.529	2938-9
				08.142		1939-43 2027-28 2034-35 2112-13 2116 2119